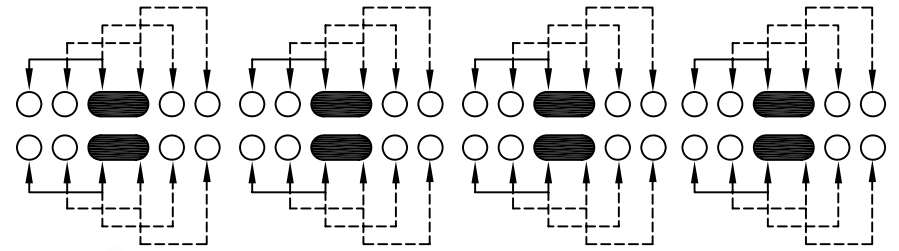
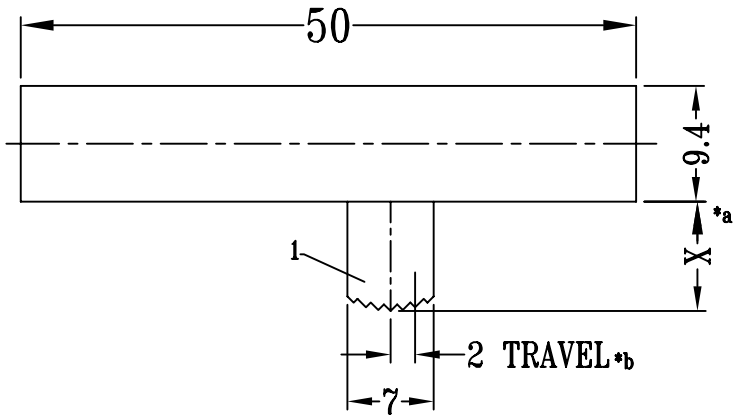
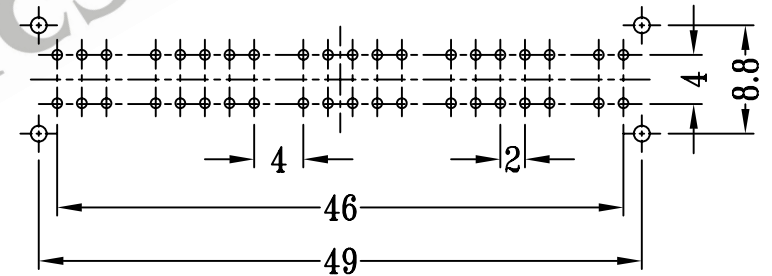
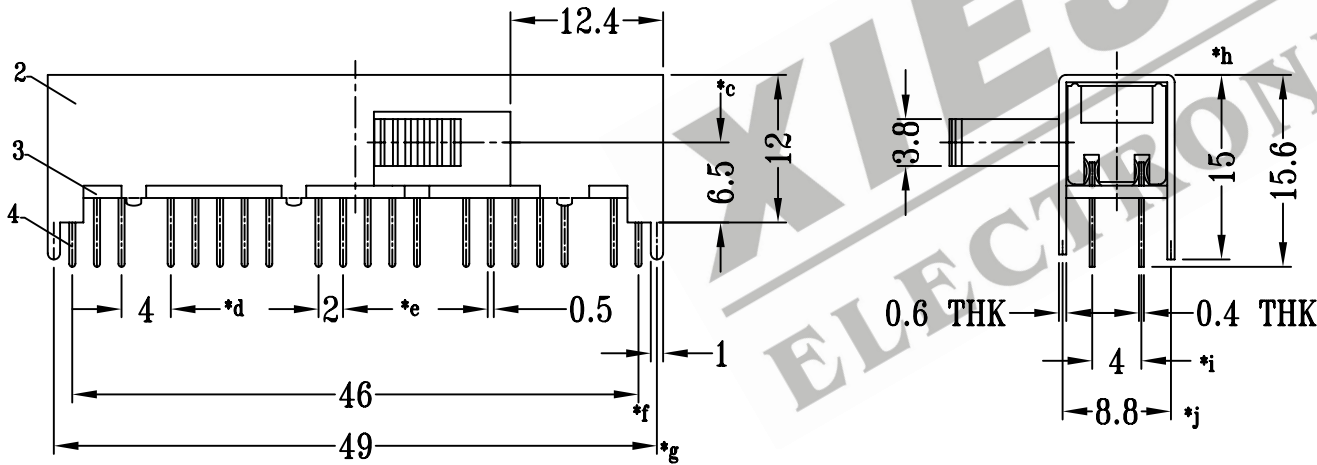


CAD FILE:



SCHEMATIC (SHORTING)



P.C.B LAYOUT

注:带"\*"表示关键尺寸(10个)

NO.	PARTS	MATERIALS	QTY	FINISH	TOLERANCE UNLESS SPECIFIED	SHENZHEN XIEJIA ELECTRONICS CO.,LTD.			
8									
7	CONTACT CLIP	PBS STRIP	8	Ag PLATED					
6	STEEL BALL	STEEL	1	NATURAL	WITHIN: 1.5±0.1mm				
5	SPRING	STEEL WIRE	1	TEMPER	OVER: 1.5±0.2mm	ISSUE	DATE	DESCRIPTIONS OF REVISION	
4	TERMINAL	BRASS STRIP	40	Ag PLATED OVER Ni PLATED	TITLE: HORIZONTAL SLIDE SWITCH	UNIT: mm	DRWG NO.: XJ-DR-SK84D01-00		
3	BASE	PHENOLIC RESIN	1	NATURAL	MODEL: SK-84D01	SCALE: 3:2	DWN	ZHOUYU	2001-12-21
2	FRAME	STEEL STRIP	1	Ni PLATED			CHK'D	FANGYING	2001-12-21
1	NOB	POM	1	BLACK	ALL MATERIALS MUST BE COMPLIANT TO ROHS		APPD	KANGXINAN	2001-12-21